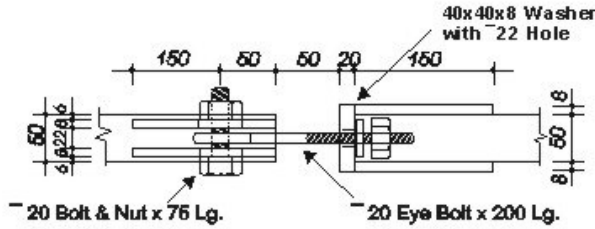
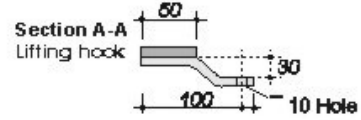
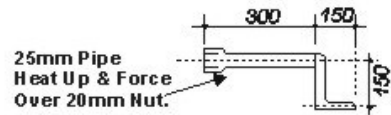
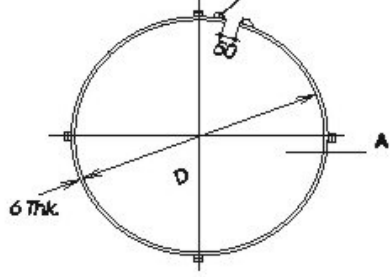
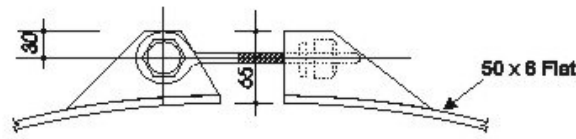


**LIFTING RING FOR MANHOLE CHAMBERS**

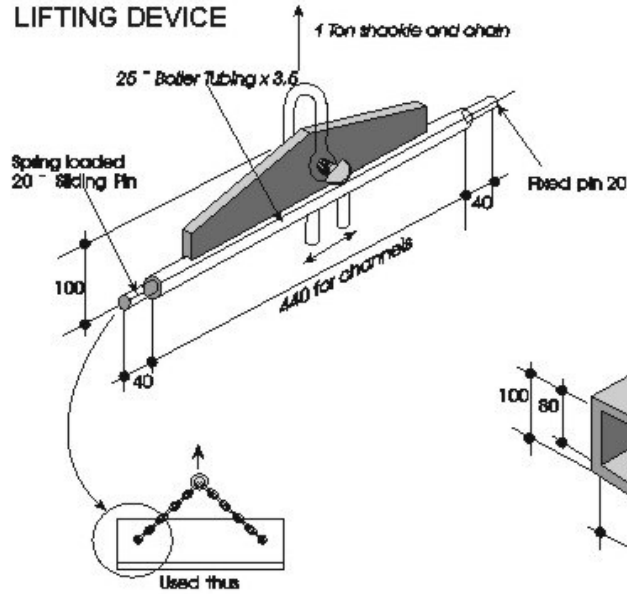
Manhole ID	700	750	1000	1250	1500	1750
O.D.	808	860	1130	1400	1680	1940
Strap Length	2490	2650	3500	4350	5230	6045



Lifting Chains to be 8mm x 1500mm long.



**TYPE 2 KI LIFTING DEVICE**



**TYPE 3 KI LIFTING DEVICE**

