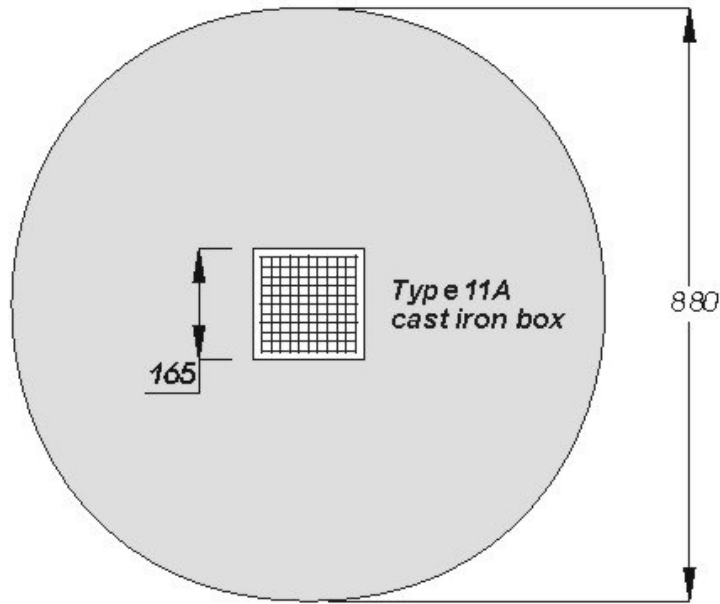


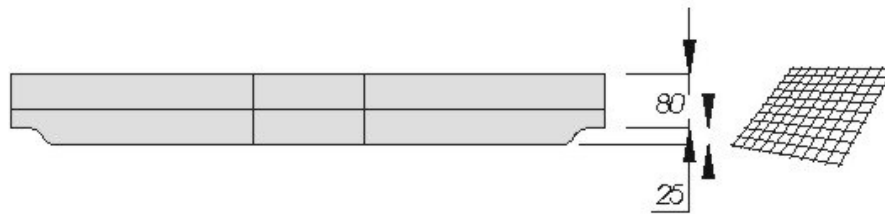
Valve Chamber

Salberg manufacture a slab to fit onto a 750 dia chamber with a Type 11A cast iron body

These are used to cover water valve chambers



Type 11A Stop cock box



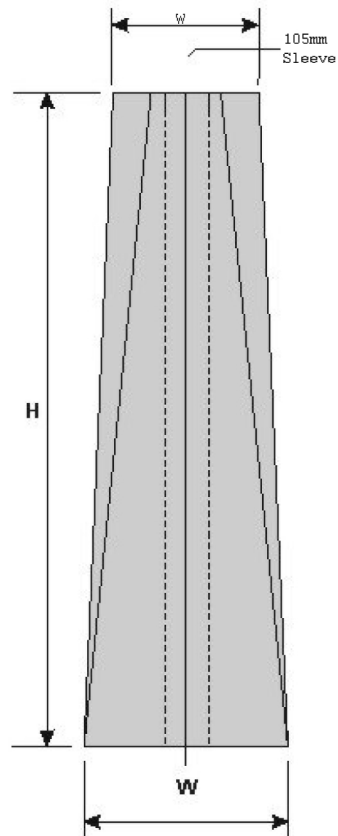
Salberg also supply 750 dia chambers in 250 / 500 / 750 high sections

Fire Hydrant Post & Box

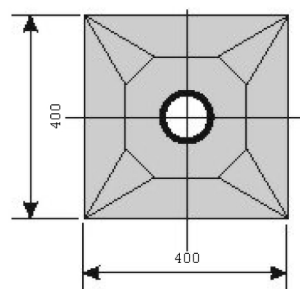
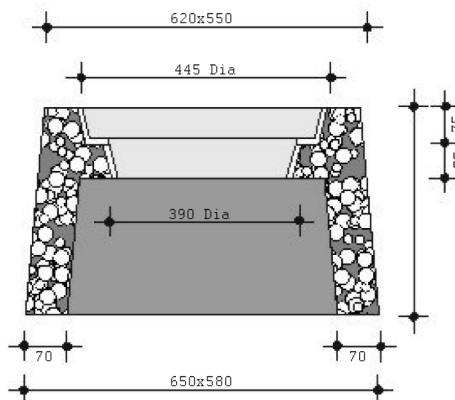
PRECAST CONCRETE METER BOXES, VALVE AND FIRE HYDRANT CHAMBER.

1. **Scope** - This specification covers the pre cast concrete components for the use in meter boxes, valve and fire hydrant chambers.
2. **Materials** - These shall comply with all the requirements laid down in SABS 677-1969 for cement, sand, aggregate, reinforcement and water.
3. **General** - These chambers may have the cast iron cover cast in or a concrete cover may be used.
4. **Dimensions** - The actual dimensions shall not differ by more than the following values: Wall thickness - 3mm.
5. **Deviation from straightness** - This shall not deviate by more than 5mm per metre of length.
6. **End Squareness** - The maximum deviation from end squareness of the ends shall not exceed 6mm.
7. **Cover** - The minimum thickness of the cover over all reinforcement shall be 10mm.
8. **Resistance to Proof Load** - These valve boxes and chambers shall support a point load of 35kN spread over an area of 200 x 200 mm without showing any signs of failure.
9. **Marking** - The following information shall be indelibly marked on the boxes and covers:
 - a) The manufacturer's trade name.
 - b) The date of manufacture.

HYDRANT VALVE POST

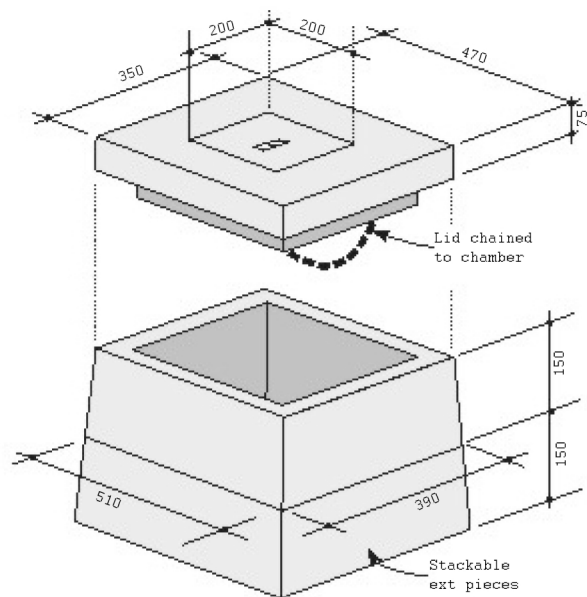


HYDRANT BOX

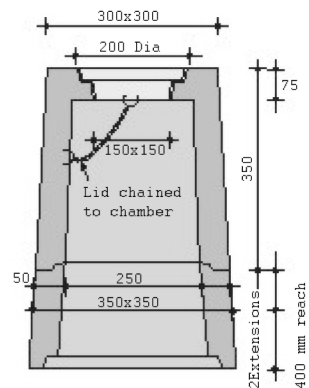


Type	H	w	W
1	920	200	300
2	600	200	400

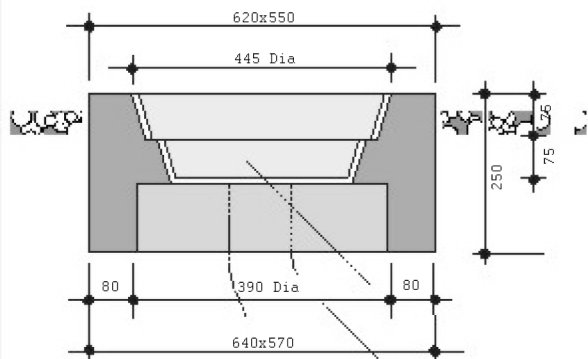
TYPE 1 VALVE/METER BOX (Medium Duty)
 With secured cover and removable slab.



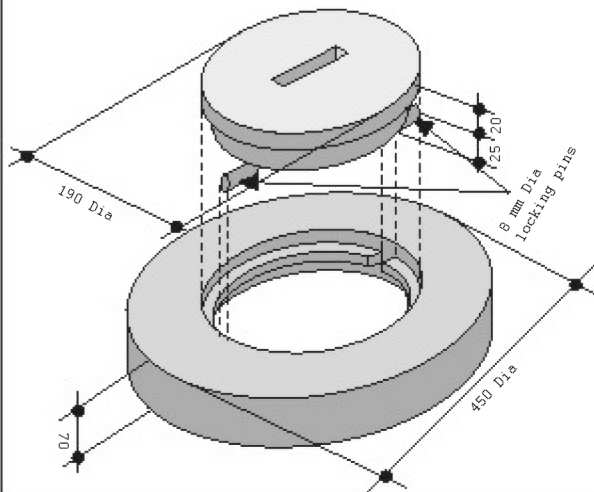
Type 3 (Light Duty)
 With secured cover and extension pieces x 400 high.



RODDING EYE BOX

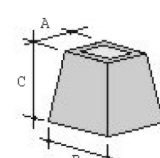


INSPECTION EYE COVER



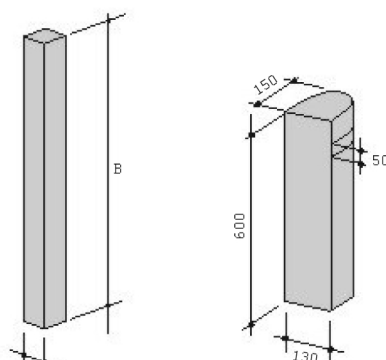
Marker & Guide Block

CABLE MARKERS				
A	B	C	NAME PLATE	
20°	280°	380	100°	Aluminium
20°	300°	500	100°	Aluminium

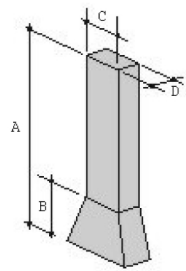


Available plain or with letter!

ROUTE MARKERS		
A	B	PLATE
100°	Adjustable to 1800	Available
150°	Adjustable to 2000	plain with
100° (chamfer)	1350	plate or letter



GENERAL MARKERS					
A	B	C	D	E	PLATE
91.5	200	150	63	200	Available
60.0	200	200	50	300	with letter as required



PIPELINE MARKERS			
A	B	C	
150°	225°	2000	(Marker pin on top)
100°	150°	1500	(Corner Chamfered)

